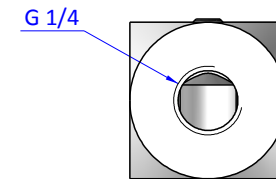
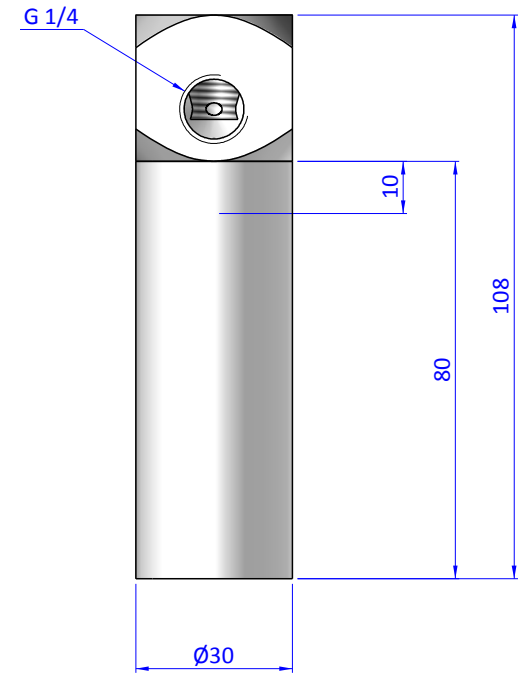
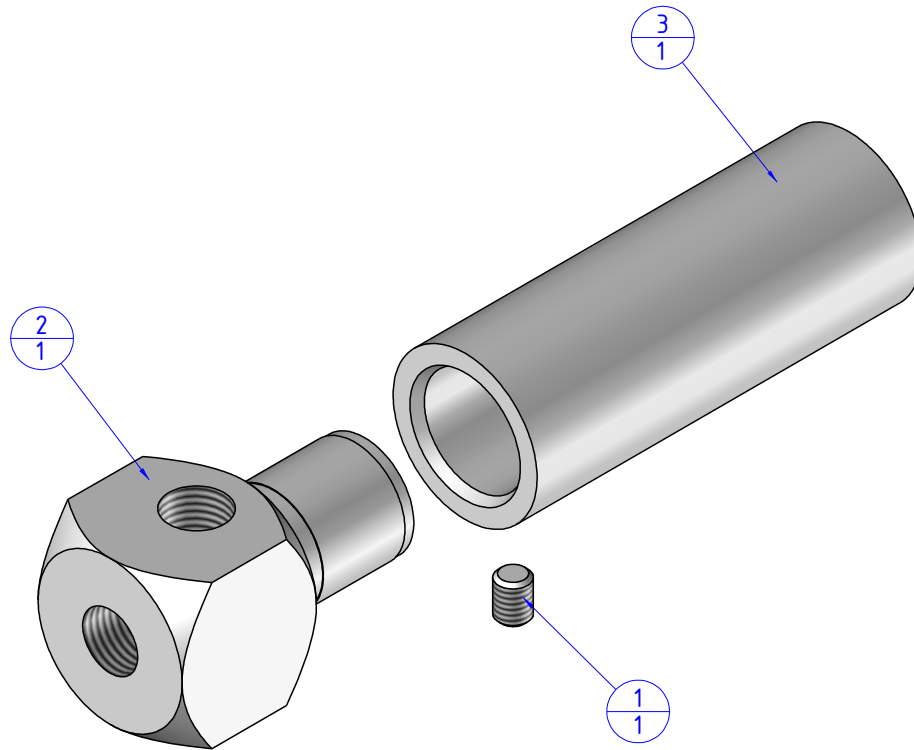


THE PROPERTY OF THE DRAWING IS ESTABLISHED BY LAW. IT IS FORBIDDEN TO PRODUCE OR SHOW IT TO THIRD PARTS WITHOUT A WRITTEN AGREEMENT.

Item	Name	Q.ty
1	GR.6X8.Z	1
2	GSE.30.1	1
3	GVR.30.80	1



Format A3

UNI 936-76

FP SERVICES AUTOMATION		DESIGNED FROM FPSERVICES		REVIEW A / 7
GENERAL TOLERANCE UNI - ISO 2768 CLASSE f		DATE 06/03/2019	WEIGHT 0,164kg	
		CODE CA.GSE.30141480		CA.GSE.30141480